



PRODUCT HIGHLIGHTS

ESCAPE PLUS



A better bathing experience!

The new Bestbath® Escape Plus walk-in tub has been redesigned with the user in mind making it easier than ever to enjoy a relaxing bath. With a larger ergonomically designed door, users of any ability can easily and safely step into the tub without fear of slipping or falling.

This deeper and wider tub allows the bather complete water coverage for a warm, soothing experience. The optional 22 heated air jets and 8 directional water jets are easy to operate with large air button switches. All jetted models feature the quietest whirlpool pump available on the market, designed with a heat recycling feature to help maintain water temperature, reducing the need for an expensive in-line heater.

Bestbath is the only manufacturer that offers a seat warmer standard with all walk-in tubs. It is controlled by a timer to keep the user warm and comfortable while the tub fills and drains.

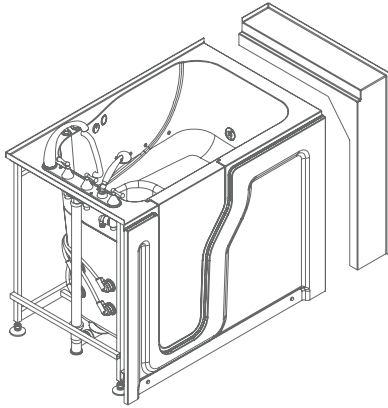
The Escape Plus tub comes standard with a 2" drain reducing drain time by almost 50%. Optional valve packages include either 3/4" or 1/2" plumbing to provide users the opportunity to outfit the tub based on their individual style and design.

Custom colors are available to match the existing bathroom décor.

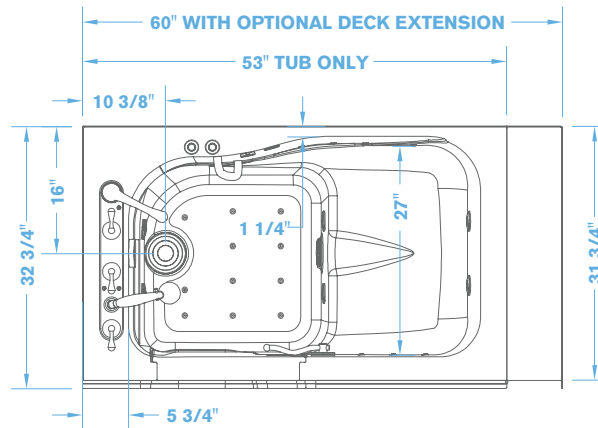
ESCAPE PLUS

SHOWN WITH OPTIONAL DECK EXTENSION & JET SYSTEMS

PERSPECTIVE VIEW



TOP VIEW



Options and accessories vary by model.

CODES

Designed and manufactured in compliance with the following standards and codes:

- CSA B45.5-11/IAPMO Z124-2011 Plastic Plumbing Fixtures
- A.S.M.E. A112.19.15-2005 & CSA B45-02 (R08) Whirlpool Bathtubs with Pressure Sealed Doors
- A.S.M.E. A112.19.7-2006 Hydromassage Bathtub Appliances
- Underwriters Laboratories 1795 & CSA C22.2 No. 218.2-93 Hydromassage Bathtub Appliances

* Front image shown with optional 3/4" valve system. We reserve the right to change design without notice.

XTW5332 L/R Escape Plus Features:

- Seat warmer with keypad control
- Designed to fit in the space of your current bathtub
- Seat height is designed for ease of sitting and standing up
- Extra deep for a full body soak
- Innovative patented door handle designed for easy operation
- Reliable door seal that comes with a limited lifetime warranty
- Allows you the freedom to rehabilitate at home, or enjoy a long soak in a safe, comfortable spa-like tub
- Space under tub allows for reverse plumbing
- Optional Syllent brand jet pump: a revolutionary, ultra quiet design that helps maintain water temperature without an external heater, limiting the power requirements to just 15 Amps/110 Volt (3 year limited warranty)
- Optional (heated) Airjet system (15 Amps/110 Volt)



BESTBATH PRODUCTS ARE MADE IN THE USA
and come with a limited lifetime warranty so you can relax knowing you're covered now and in the future.



bestbath.com

Toll Free 800.727.9907
Fax 208.333.8657
723 Garber Street
Caldwell, ID 83605

Reorder # 076FORM2020 06/16
Bestbath is a trademark of Best Bath System, Inc. © 2016 All rights reserved.