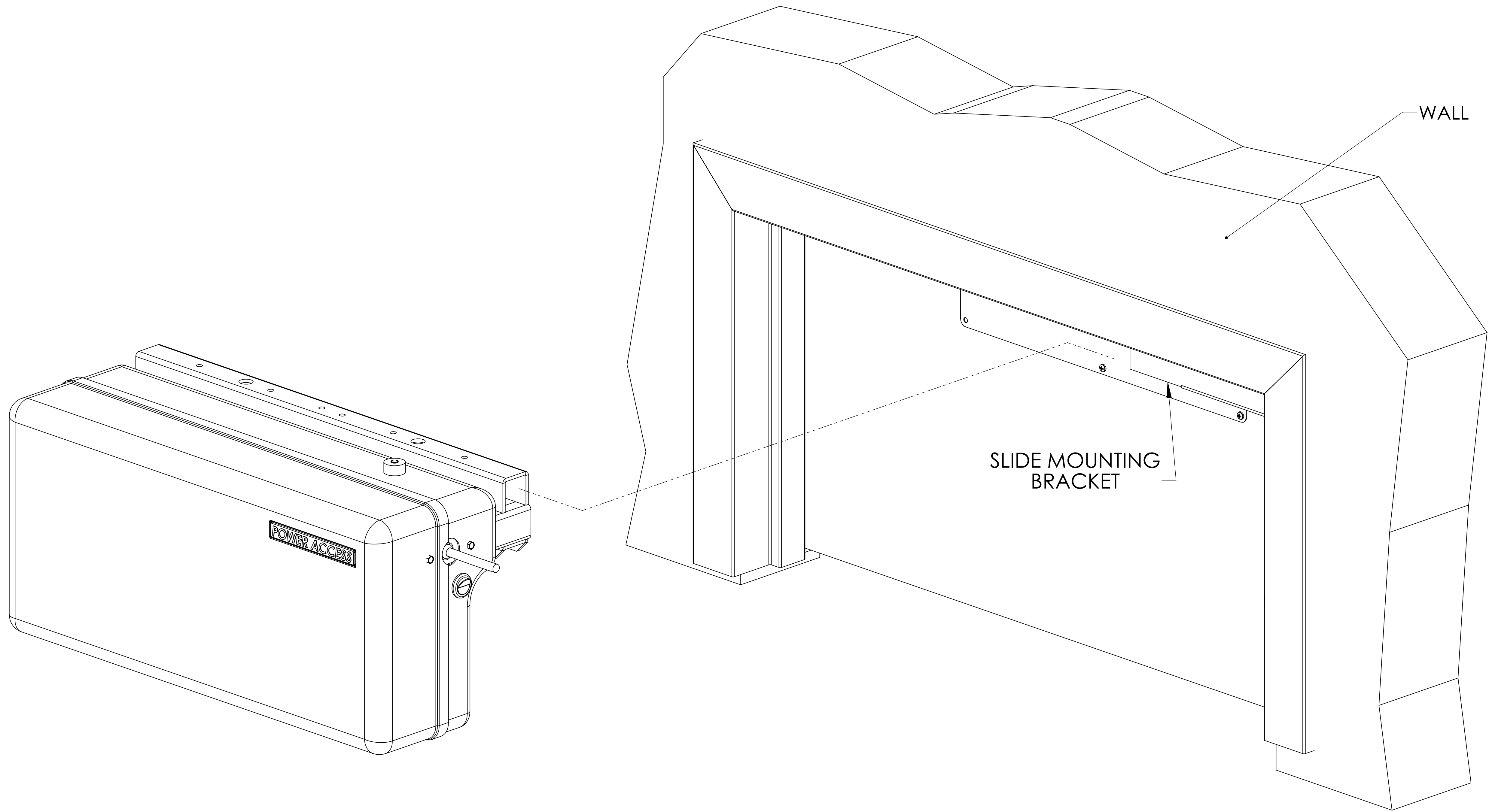


MODEL 4300 INVERTED (VR)  
POWER REQUIERMENTS-115 VAC, 3 AMP, SINGLE PHASE  
GROUNDED RECEPTACLE, 9' POWER CORD SUPPLIED,  
20' CORD OPTIONAL SENSORS- TOUCH SWITCHES, WALL  
SWITCHES OR RADIO CONTROLLED AS SPECIFIED.

**PROPRIETARY AND CONFIDENTIAL**  
THE INFORMATION CONTAINED IN THIS DRAWING  
IS THE SOLE PROPERTY OF POWER ACCESS  
CORPORATION. ANY REPRODUCTION IN PART OR  
AS A WHOLE WITHOUT THE WRITTEN PERMISSION  
OF POWER ACCESS CORPORATION IS PROHIBITED.

UNLESS OTHERWISE SPECIFIED:		NAME	DATE	<b>POWER ACCESS</b>
DIMENSIONS ARE IN INCHES	TOLERANCES:	BH	10/29/15	
FRACTIONAL ±	±			TITLE:
ANGULAR MATCH ±	BEND ±			ARCHITECTURAL
TWO PLACE DECIMAL ±	THREE PLACE DECIMAL ±			REQUIREMENTS
INTERPRET GEOMETRIC TOLERANCING PER:		G.A.		SIZE DWG. NO.
MATERIAL		COMMENTS:		<b>D 4300VR</b>
NEXT ASSY	USED ON	FINISH		REV
APPLICATION				SCALE: 1:8 WEIGHT: SHEET 1 OF 2



SLIDE MOUNTING BRACKET

WALL

**PROPRIETARY AND CONFIDENTIAL**  
 THE INFORMATION CONTAINED IN THIS DRAWING IS THE SOLE PROPERTY OF POWER ACCESS CORPORATION. ANY REPRODUCTION IN PART OR AS A WHOLE WITHOUT THE WRITTEN PERMISSION OF POWER ACCESS CORPORATION IS PROHIBITED.

UNLESS OTHERWISE SPECIFIED:		NAME	DATE	BH	10/29/15	TITLE: <b>POWER ACCESS</b> ARCHITECTURAL REQUIREMENTS
DIMENSIONS ARE IN INCHES	FRACTIONAL ±	DRAWN	CHECKED			
TOLERANCES:	ANGULAR: MATCH ±	ENG APPR:	MFG APPR:	G.A.	COMMENTS:	SIZE   DWG. NO.   REV
	TWO PLACE DECIMAL ±					<b>D</b> 4300VR-1
	THREE PLACE DECIMAL ±					SCALE: 1:8   WEIGHT:   SHEET 2 OF 2
INTERPRET GEOMETRIC TOLERANCING PER:						
MATERIAL						
NEXT ASSY	USED ON	FINISH				
APPLICATION						

REV  
D 4300VR