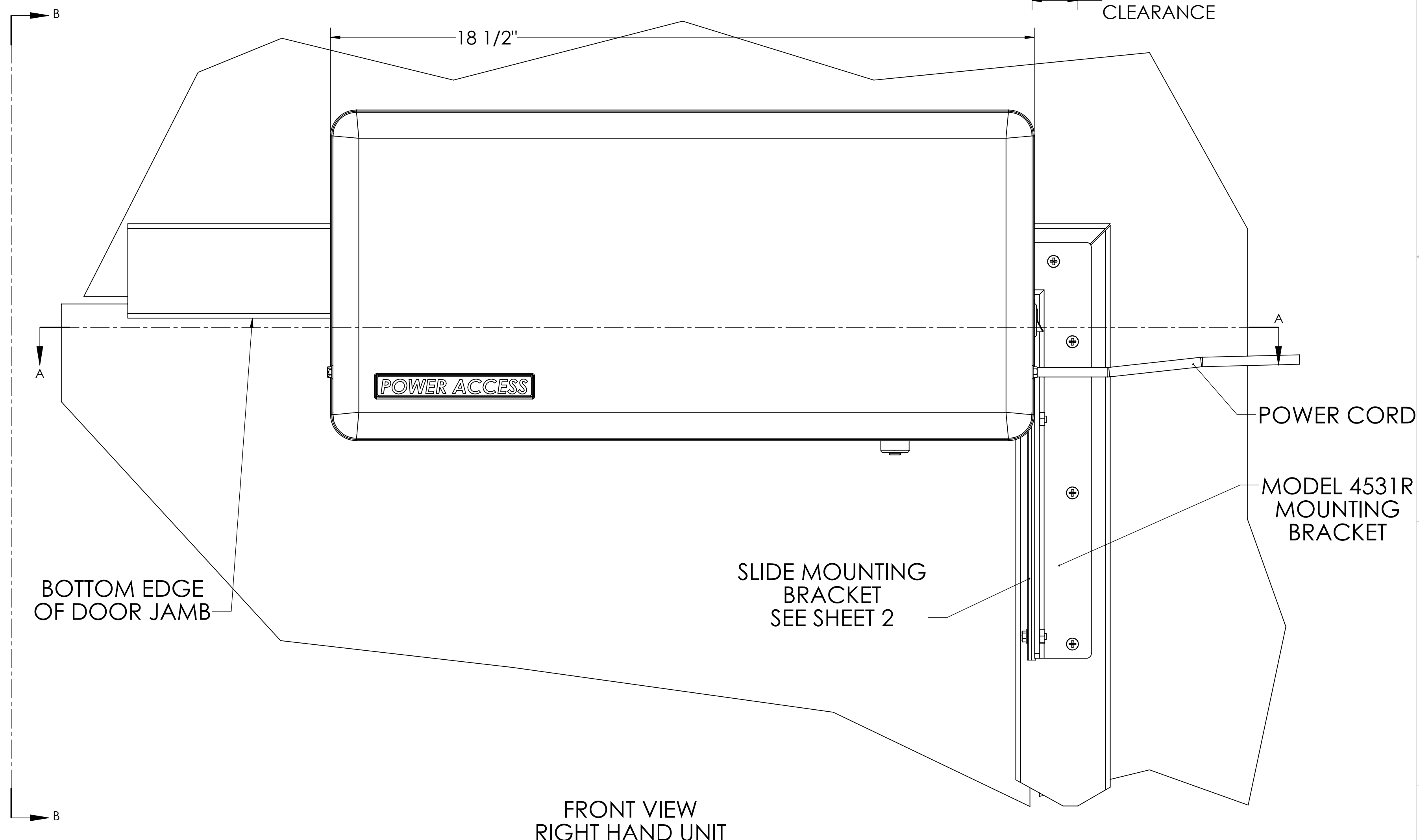
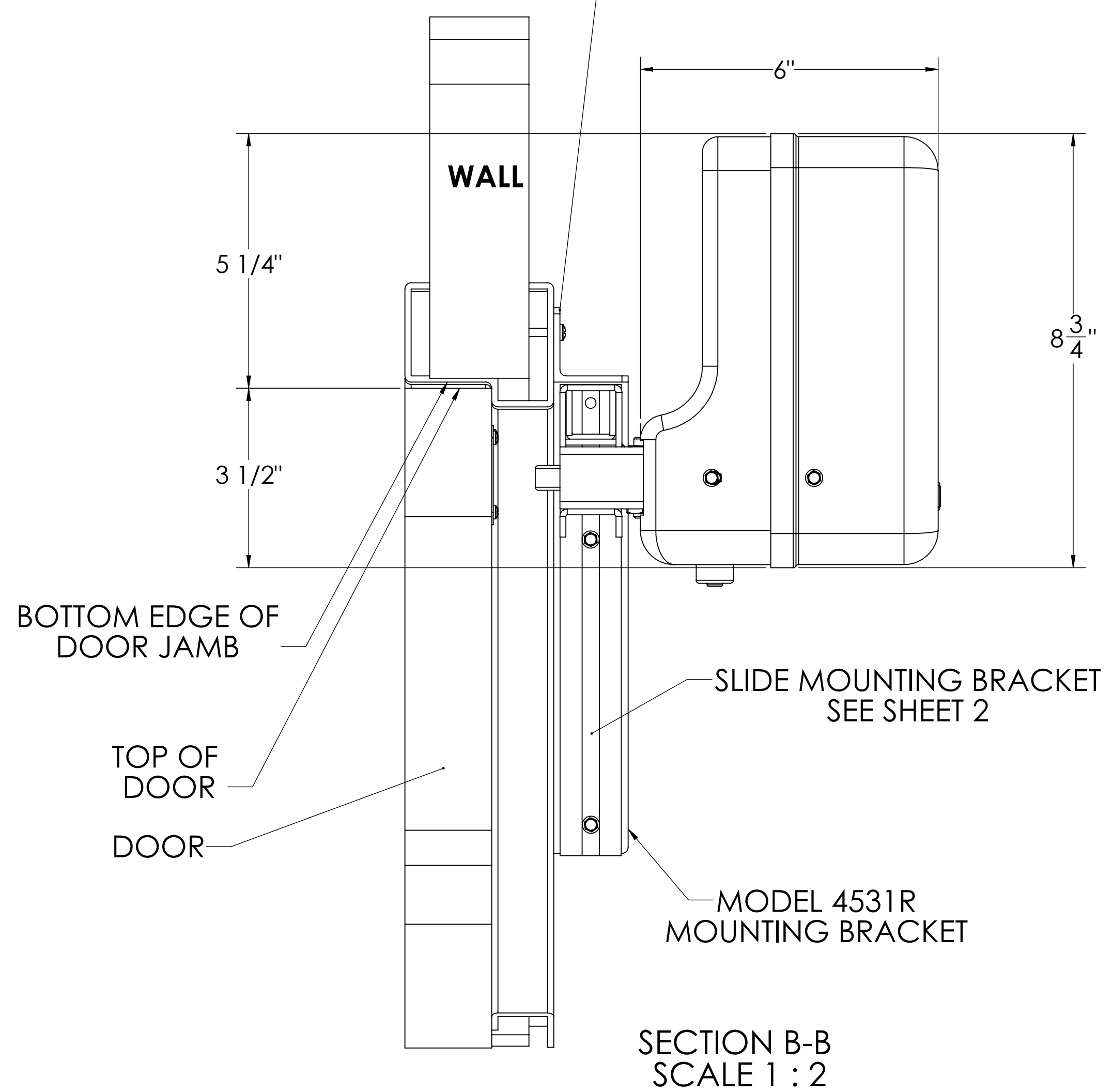


CEILING HEIGHT
MINIMUM

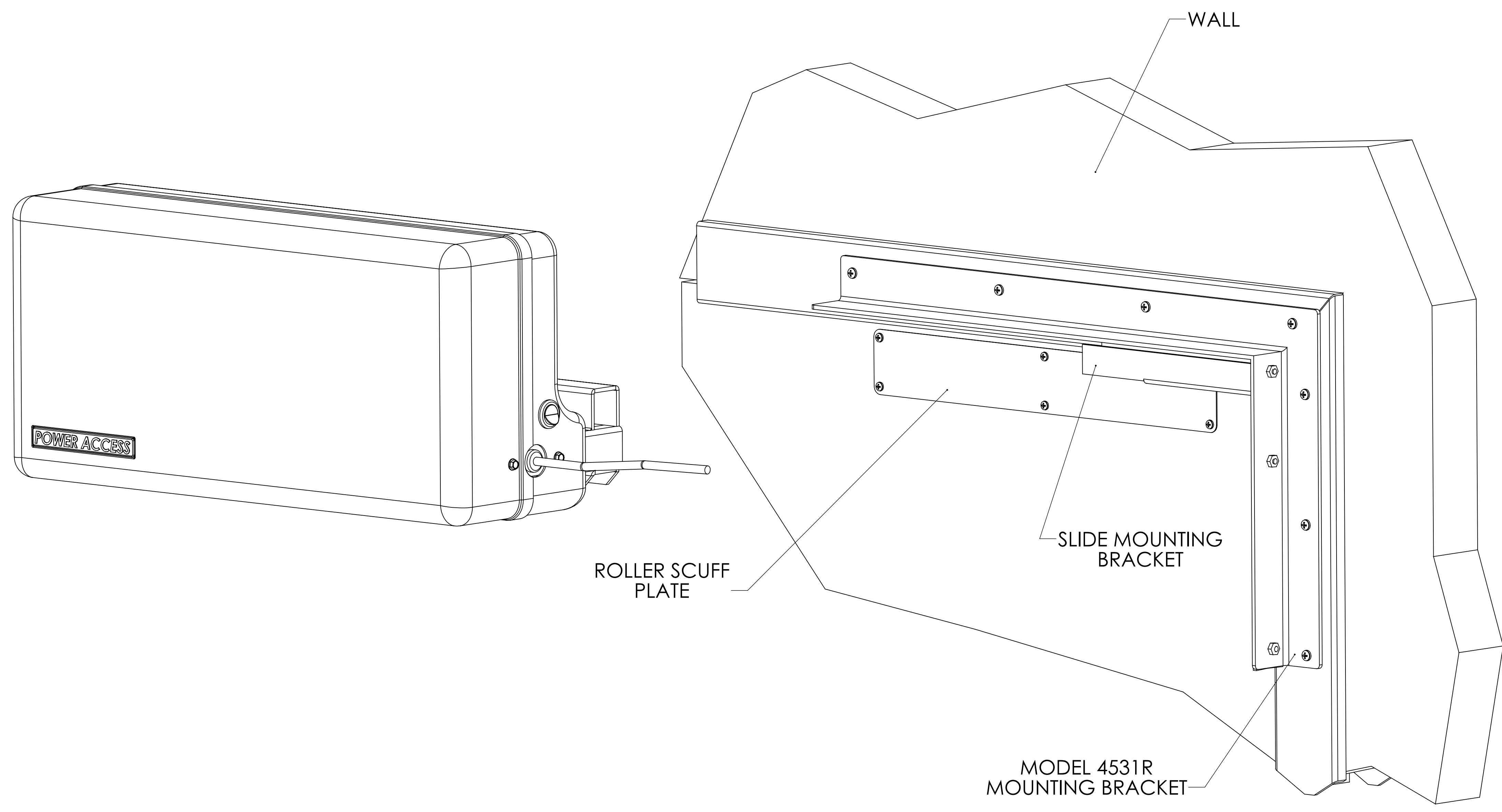
MODEL 4531R
MOUNTING BRACKET



MODEL 4300 WITH MODEL 4531 MOUNTING BRACKET
FOR SHALLOW REVEAL DOORS.
POWER REQUIREMENTS-115 VAC, 3 AMP, SINGLE PHASE
GROUND RECEPTACLE, 9' POWER CORD SUPPLIED, 20' CORD
OPTIONAL. SENSORS-TOUCH SWITCHES, WALL SWITCHES OR
RADIO CONTROL AS SPECIFIED.

PROPRIETARY AND CONFIDENTIAL
THE INFORMATION CONTAINED IN THIS DRAWING
IS THE SOLE PROPERTY OF POWER ACCESS
CORPORATION. ANY REPRODUCTION IN PART OR
AS A WHOLE WITHOUT THE WRITTEN PERMISSION
OF POWER ACCESS CORPORATION IS PROHIBITED.

UNLESS OTHERWISE SPECIFIED:		NAME	DATE	TITLE: POWER ACCESS
DIMENSIONS ARE IN INCHES	TOLERANCES:	BH	10/29/15	
FRACTIONAL ±	DECIMAL ±	CHECKED		TITLE: MODEL 4300 WITH SHALLOW REV. BRKT ARCH. REQUIREMENTS
ANGULAR MATCH ±	BEND ±	ENG APPR.		SIZE DWG. NO. D 4300R-SRB REV
TWO PLACE DECIMAL ±	THREE PLACE DECIMAL ±	MFG APPR.		SCALE: 1:8 WEIGHT: SHEET 1 OF 2
INTERPRET GEOMETRIC TOLERANCING PER MATERIAL		G.A.		
		COMMENTS:		
NEXT ASSY	USED ON	FINISH		
APPLICATION				



PROPRIETARY AND CONFIDENTIAL
 THE INFORMATION CONTAINED IN THIS DRAWING IS THE SOLE PROPERTY OF POWER ACCESS CORPORATION. ANY REPRODUCTION IN PART OR AS A WHOLE WITHOUT THE WRITTEN PERMISSION OF POWER ACCESS CORPORATION IS PROHIBITED.

UNLESS OTHERWISE SPECIFIED:		DRAWN	NAME	DATE	POWER ACCESS TITLE: ARCHITECTURAL REQUIREMENTS
DIMENSIONS ARE IN INCHES		BH	BH	10/29/15	
TOLERANCES:		CHECKED			
FRACTIONAL ±		ENG APPR.			
ANGULAR: MATCH ±		MFG APPR.			SIZE DWG. NO. D 4300R-SRB-1 REV
TWO PLACE DECIMAL ±		G.A.			
THREE PLACE DECIMAL ±		COMMENTS:			SCALE: 1/2 WEIGHT: SHEET 2 OF 2
INTERPRET GEOMETRIC TOLERANCING PER:					
MATERIAL					
NEXT ASSY	USED ON	FINISH			
APPLICATION					

REV
D 4300R-SRB