

# 4RS4236B5T

---



4 piece 42" x 36" barrier free shower with 1/2 inch threshold and center drain.

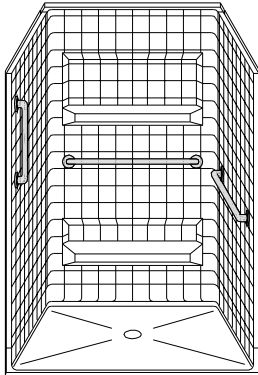
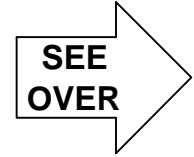
Strong, luxurious polyester gelcoat composite fiberglass shower with "RealTile" 4 inch tile look finish. Full plywood backing on all walls for outstanding strength and customized installation of accessories. Self-supporting pre-leveled bottom eliminates mud setting. Easy installation from the front.

Dimensions:  
42" x 36" x 71"

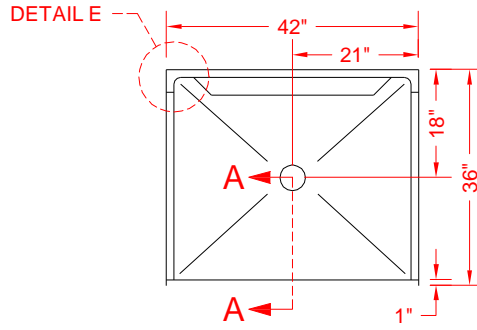
Accessories available: Safety bars, padded seat, shower valve, glide bar with hand held shower, curtain and rod, WaterStopper (water retainer), drain, window and flange trim kits for easy finish.

# MODEL: 4RS4236B5T\*

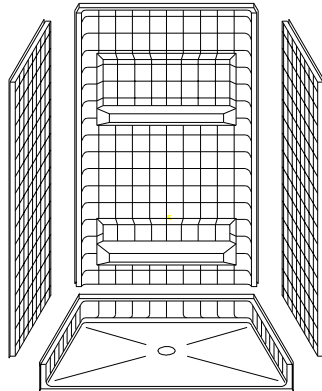
ALL ACCESSORIES OPTIONAL



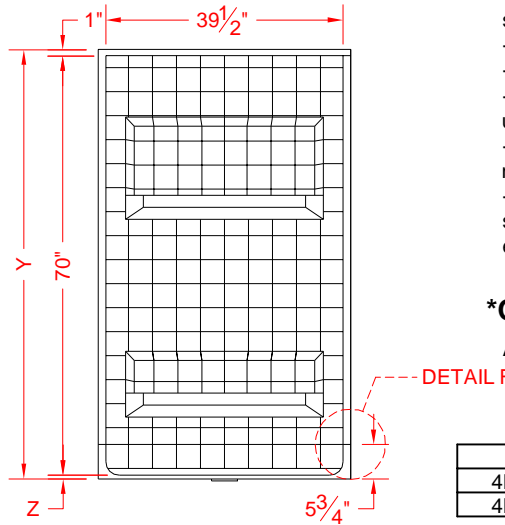
**PERSPECTIVE VIEW - N.T.S.  
MODEL SHOWN HERE AS:**



**TOP VIEW - SCALE  $\frac{3}{8}$ " = 1'-0"**



**ASSEMBLY VIEW - N.T.S.**



**FRONT ELEVATION - SCALE:  $\frac{3}{8}$ " = 1'-0"**

## Features:

- Molded, 4 piece gelcoat/fiberglass shower module
- Available in various threshold heights
- "Real Tile" wall finish, white (standard)
- Integral full wood backing for strength and unlimited accessory placement
- On all threshold, heights 1-1/2" or taller, no mud set is required
- On all threshold, heights 1-1/4" or shorter, no mud set is required, but an epoxy adhesive kit is supplied

**\*OTHER THRESHOLD HEIGHTS AVAILABLE UPON REQUEST**

	UNIT HEIGHT	THRESHOLD HEIGHT
MODEL #	Y	Z*
4RS4236B5T	71-1/2"	5/8" MIN.
4RS4236B2T	72-1/4"	2" MAX.

\* - SEE BACK FOR DETAIL SECTIONS

## PRODUCT SPECIFICATIONS:

- Multi piece shower module shall be constructed of gelcoat/fiberglass with full integral plywood backing
- Rough-In: Stud opening +1/4" -0" Nominal Dimensions.

C.S.I. FORMAT SPECIFICATION TEXT AVAILABLE

## PRODUCT INFORMATION:

- Accessories: Factory installed, unless prone to damage during installation/shipping. Polished chrome/satin stainless standard, others available.
- Colors: White as standard, others to match any major fixture manufacturer, also available with sprayable solid surface in many colors
- Custom curb heights, other than shown, are available (between min. and max.)

## ACCESSORIES:

### INSTALLED BY OTHERS:

- Grab bar
- Seat, folding
- Mixing valve, pressure balanced, lever handle, preplumbed tree to supply elbow
- Vacuum breaker
- Curtain and rod
- Collapsible Rubber Water Retainer
- Semi-permanent Threshold Adaptor
- Caulkless drain

## CODES:

- Designed and manufactured in compliance with the following standards and codes:
- A.N.S.I. Z124.2 Standards for Plastic Showers
  - I.P.C. International Plumbing Code
  - U.P.C. Uniform Plumbing Code

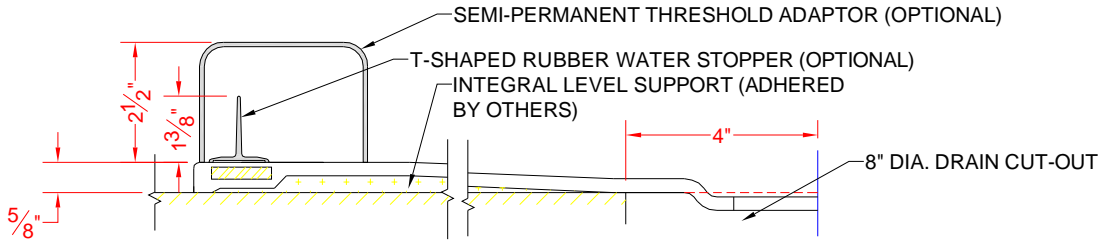
## NOTICE OF LIMITATION:



DIV. OF FIBERGLASS SYSTEMS INC.  
www.best-bath.com 1-800-727-9907

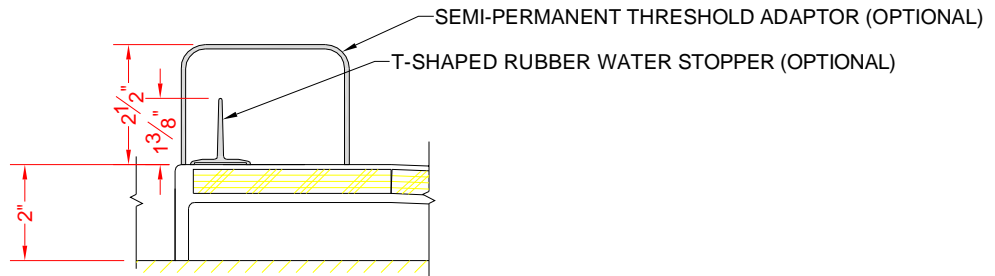
*We reserve the right to make revisions without notice in the design of fixtures or in packaging unless this right has specifically been waived at the time the order is accepted.*

**4RS4236B5T**



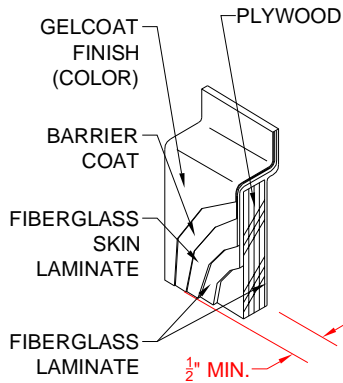
**SECTION A-A - SCALE: 3" = 1'-0"**

**4RS4236B2T**

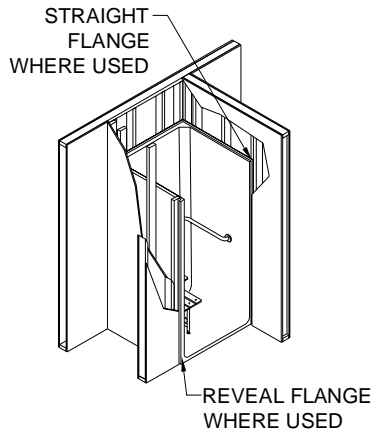


**SECTION A-A - SCALE: 3" = 1'-0"**

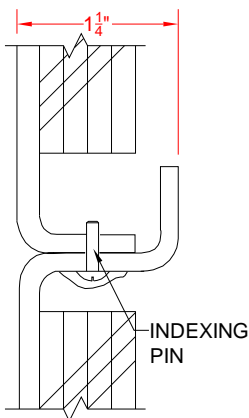
**\*\*OTHER THRESHOLD HEIGHTS AVAILABLE UPON REQUEST\*\***



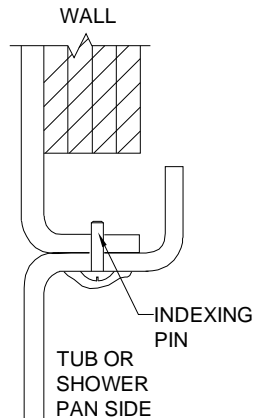
**DETAIL B - SCALE: 3" = 1'-0"**  
**WALL SECTION DETAIL**



**DETAIL C - SCALE: NTS**  
**TYPICAL FRAMING**



**DETAIL E - SCALE: NTS**  
**WALL JOINT DETAIL**



**DETAIL F - SCALE: NTS**  
**PAN JOINT DETAIL**