

4LRS4848B1T



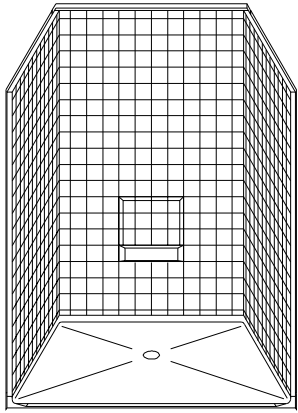
4 piece 48" x 48" barrier free shower with 1 inch threshold, with center drain.

Strong, luxurious polyester gelcoat composite fiberglass shower with "RealTile" 4 inch tile look finish. Full plywood backing on all walls for outstanding strength and customized installation of accessories. Self-supporting pre-leveled bottom eliminates mud setting. Easy installation from the front.

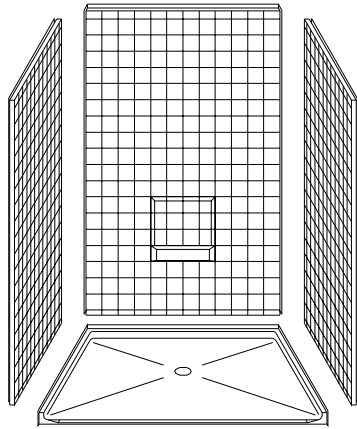
Dimensions:
48" x 48" x 79"

Accessories available: Safety bars, padded seat, shower valve, glide bar with hand held shower, curtain and rod, WaterStopper (water retainer), drain and flange trim and window trim kits for easy finish.

MODEL: 4LRS4848B1B*

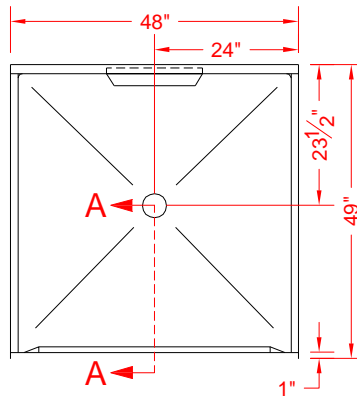


PERSPECTIVE VIEW - N.T.S.
MODEL SHOWN HERE AS:

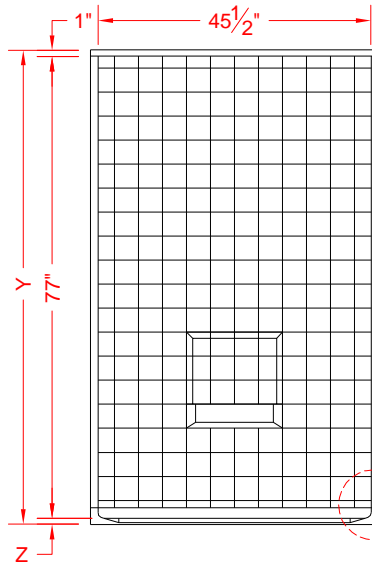


ASSEMBLY VIEW - N.T.S.

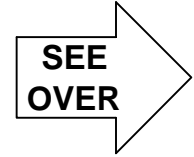
ALL ACCESSORIES OPTIONAL



TOP VIEW - SCALE $\frac{3}{8}'' = 1'-0''$



FRONT ELEVATION - SCALE: $\frac{3}{8}'' = 1'-0''$



Features:

- Molded, 4 piece gelcoat/fiberglass shower module
- Available in various threshold heights
- "Real Tile" wall finish, white (standard)
- Integral full wood backing for strength and unlimited accessory placement
- On all threshold, heights 1-1/2" or taller, no mud set is required
- On all threshold, heights 1-1/4" or shorter, no mud set is required, but an epoxy adhesive kit is supplied

*OTHER THRESHOLD HEIGHTS AVAILABLE UPON REQUEST

MODEL #	UNIT HEIGHT Y	THRESHOLD HEIGHT Z*
4LRS4848B1B	79"	1" MIN.
4LRS4848B2B	81"	2" MAX.

* - SEE BACK FOR DETAIL SECTIONS

PRODUCT SPECIFICATIONS:

- Multi piece shower module shall be constructed of gelcoat/fiberglass with full integral plywood backing
- Rough-In: Stud opening +1/4" -0" Nominal Dimensions.

C.S.I. FORMAT SPECIFICATION TEXT AVAILABLE

PRODUCT INFORMATION:

- Accessories: Factory installed, unless prone to damage during installation/shipping. Polished chrome/satin stainless standard, others available.
- Colors: White as standard, others to match any major fixture manufacturer, also available with sprayable solid surface in many colors
- Custom curb heights, other than shown, are available (between min. and max.)

ACCESSORIES:

INSTALLED BY OTHERS:

- Grab bar
- Mixing valve, pressure balanced, lever handle, preplumbed tree to supply elbow
- Curtain and rod
- Collapsible Rubber Water Retainer
- Semi-permanent Threshold Adaptor
- Caulkless drain

CODES:

- Designed and manufactured in compliance with the following standards and codes:
- A.N.S.I. Z124.2 Standards for Plastic Showers
 - I.P.C. International Plumbing Code
 - U.P.C. Uniform Plumbing Code

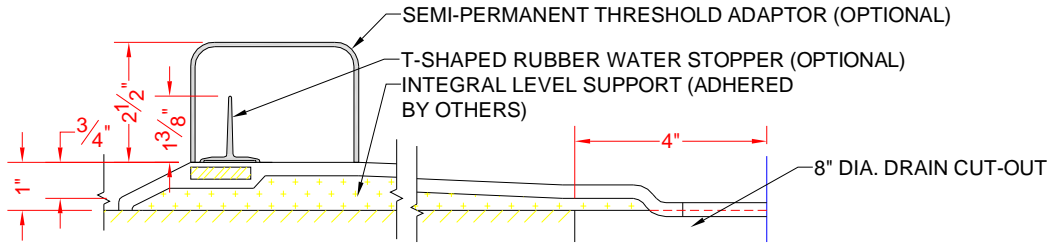
NOTICE OF LIMITATION:



DIV. OF FIBERGLASS SYSTEMS INC.
www.best-bath.com 1-800-727-9907

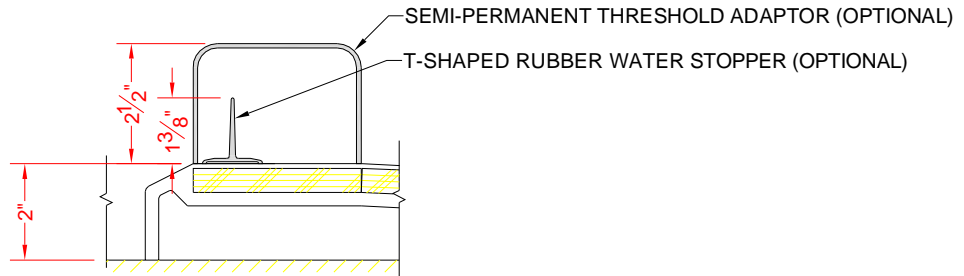
We reserve the right to make revisions without notice in the design of fixtures or in packaging unless this right has specifically been waived at the time the order is accepted.

4LRS4848B1B



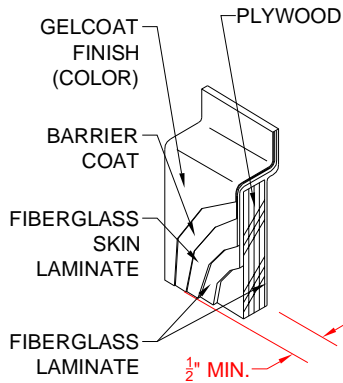
SECTION A-A - SCALE: 3" = 1'-0"

4LRS4848B2B

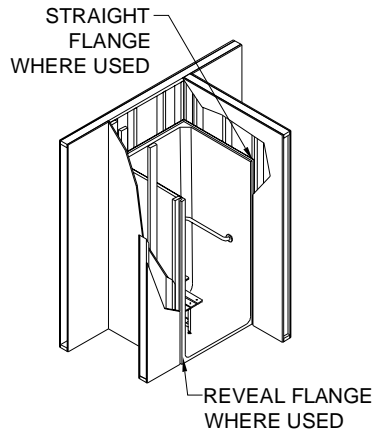


SECTION A-A - SCALE: 3" = 1'-0"

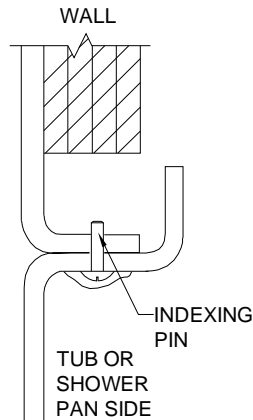
****OTHER THRESHOLD HEIGHTS AVAILABLE UPON REQUEST****



DETAIL B - SCALE: 3" = 1'-0"
WALL SECTION DETAIL



DETAIL C - SCALE: NTS
TYPICAL FRAMING



DETAIL F - SCALE: NTS
PAN JOINT DETAIL