



A narrower tub for a big bathing experience!

A narrow 26" external dimension allows access into most bathrooms without major door modification, eliminating additional remodeling costs. Due to superior engineering, the interior bowl dimension is the largest among all 26 inch tubs.

A composite fiberglass bowl with a luxurious gelcoat surface over a welded steel frame produces a door opening impervious to twisting and warping. All Bestbath® walk-in tubs offer a limited lifetime warranty.

The patented movable hinged seat is a feature that combines a recessed stepping area with a hinged seat plate creating an alcove to promote a comfortable (and safer) entry and exit from the tub.

The elegant, user-friendly patented door latch is constructed of stainless steel and brass components, no plastic. If adjustment should ever be necessary, it is easily made with this designer lever.

Jetted models feature the quietest whirlpool pump available, the Syllent Pump. This pump is designed with a heat recycling feature to help maintain water temperature and eliminate the need for an expensive in-line heater and additional wiring.

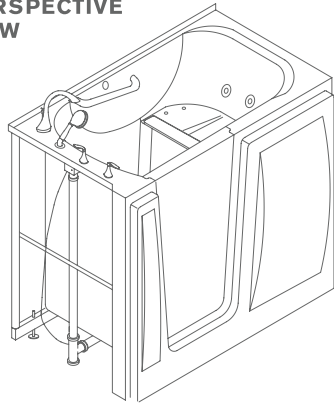
Stainless steel cable operated tub drain mechanism with a lever handle for easy operation. Pre-installed plumbing with quick connect lines for easy professional installation.

Deck extension and wall surround available.

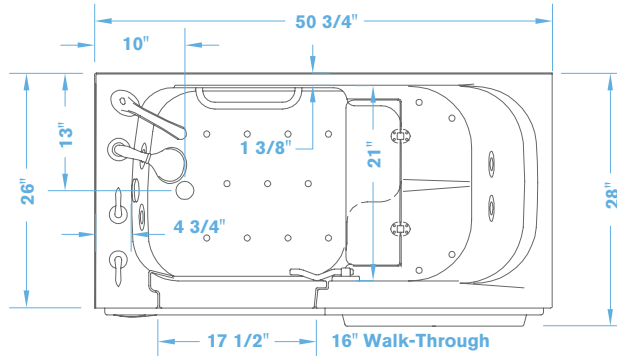
Optional ozone sanitation system available.

LIBERTY

PERSPECTIVE VIEW



TOP VIEW



Options and accessories vary by model.

CODES

Designed and manufactured in compliance with the following standards and codes:

- I.A.P.M.O. / A.N.S.I. Z124.1.2-2005 Plastic Bathtubs and Showers
- A.S.M.E. A112.19.15-2005 & CSA B45-02 (R08) Whirlpool Bathtubs with Pressure Sealed Doors
- A.S.M.E. A112.19.7-2006 Hydromassage Bathtub Appliances
- Underwriters Laboratories 1795 & CSA C22.2 No. 218.2-93 Hydromassage Bathtub Appliances

XTW5026 Liberty Features:

- Seat warmer with keypad control
- Designed to fit in the space of your current bathtub
- Swing up seat for easy entry
- Seat height is designed for ease of sitting and standing
- Extra deep for a full body soak
- Innovative patented door handle designed for easy operation
- Reliable door seal that comes with a limited lifetime warranty
- Allows you the freedom to rehabilitate at home, or enjoy a long soak in a safe, comfortable spa-like tub
- Removable equipment access panel gives easy install through a 26" bathroom doorway
- Space under tub allows for reverse plumbing
- Optional Syllent brand jet pump: a revolutionary, ultra quiet design that helps maintain water temperature without an external heater, limiting the power requirements to just 15 Amps/110 Volt (3 year limited warranty)
- Optional (heated) Airjet system (15 Amps/110 Volt)



BESTBATH PRODUCTS ARE MADE IN THE USA and come with a limited lifetime warranty so you can relax knowing you're covered now and in the future.



bestbath.com

Toll Free 800.727.9907
 Fax 208.333.8657
 723 Garber Street
 Caldwell, ID 83605

Reorder # 076FORM2026 06/16
 Bestbath is a trademark of Best Bath System, Inc. © 2016 All rights reserved.