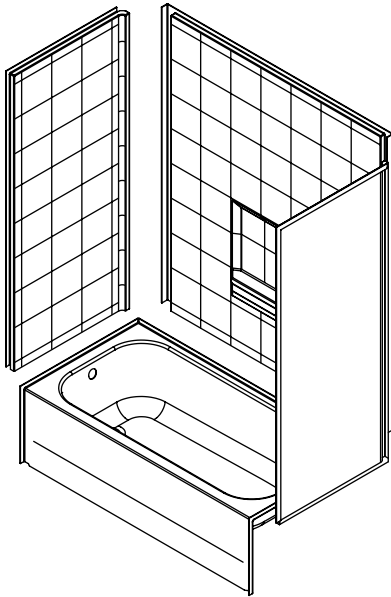


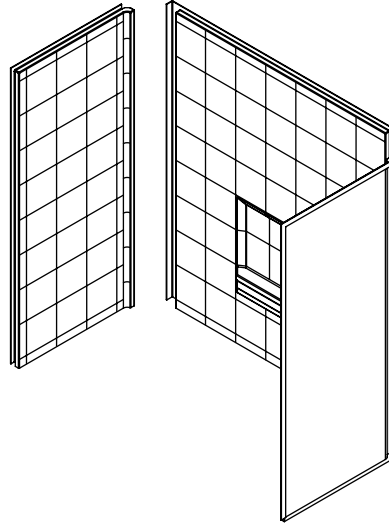
# Multi-Piece Tub/Shower and 3-Piece Wall Surround

with SnapJoint Wall System

This packet includes installation instructions for the Bestbath® products shown below. (These instructions also available at [www.bestbath.com](http://www.bestbath.com))



4-Piece Tub/Shower



3-Piece Wall Surround

## PRE-INSTALLATION PREP

### 1 CHECK PARTS INVENTORY

If any parts are damaged, immediately file a claim with the carrier. Minor damage (scuffs and scrapes) can be touched up later.

- Tub (unless it is a wall surround)
- Side wall panels (1 or 2, depending on model)
- Back wall panel
- 1 tube silicone caulk
- 1 black rubber suction cup
- *Optional:* Flange trim kit for walls

### 2 GATHER SUPPLIES

- Drywall screws (1½")
- Shim wedges
- Four pieces 2x4 lumber, 8 ft. long (for walls; see page 2)

**Before you begin installation, please carefully read all instructions regarding the proper installation of your tub/shower unit.**

Preparing the Shower Pocket.....	2
Installing the Tub .....	2
Installing Shower Walls .....	3-4

# Multi-Piece Tub/Showers and Wall Surrounds

## PREPARING SHOWER POCKET

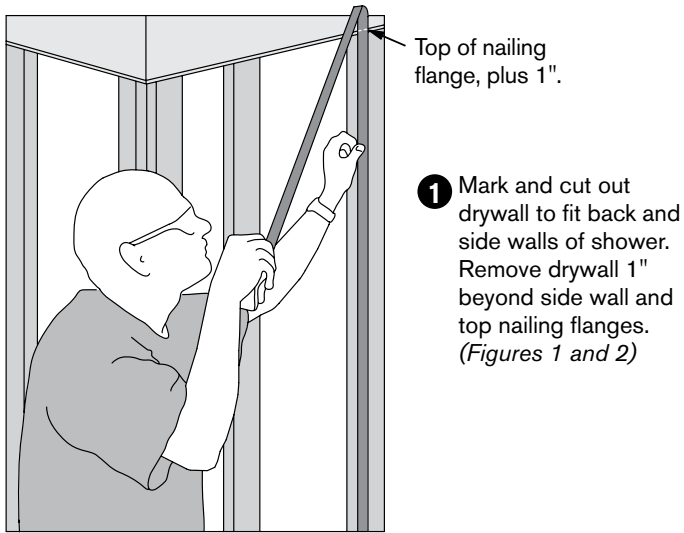


Figure 1

- 1 Mark and cut out drywall to fit back and side walls of shower. Remove drywall 1" beyond side wall and top nailing flanges. (Figures 1 and 2)

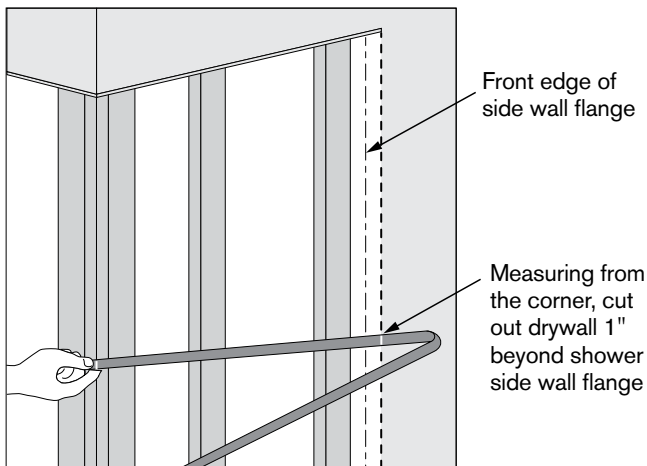


Figure 2

- 2 Install studs to provide support for flange and drywall attachment. (Figure 3)

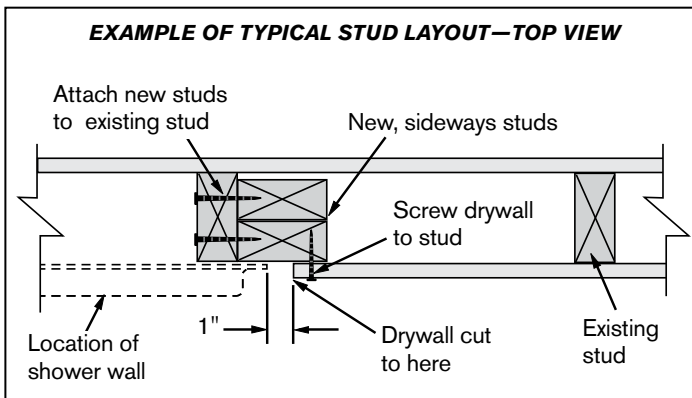


Figure 3

## INSTALLING TUB

**CAUTION: IF NOT INSTALLED PROPERLY, THE TUB OR SHOWER UNIT MAY NOT PERFORM AS DESIGNED AND WILL NOT BE COVERED BY THE WARRANTY.**

- 1 Check tub/shower pocket area for level and for correct dimensions. Make sure drain hole in floor is in the correct position.
- 2 Have a plumber rough in the plumbing to drain/overflow, valve and outlet.
- 3 Place tub in pocket. Make sure tub drains properly by pouring water in it or checking the tub with a level. If in doubt, remove tub and review the previous steps. (Figure 4)

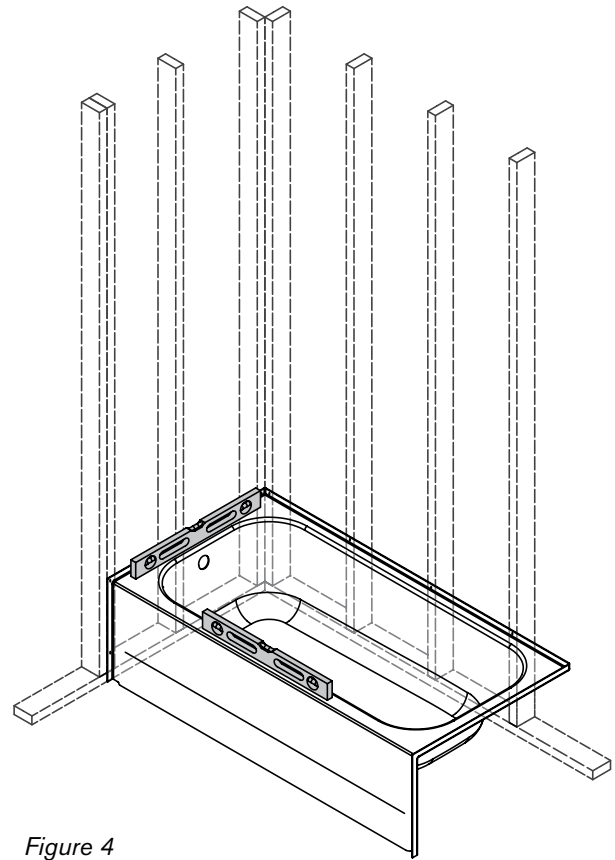
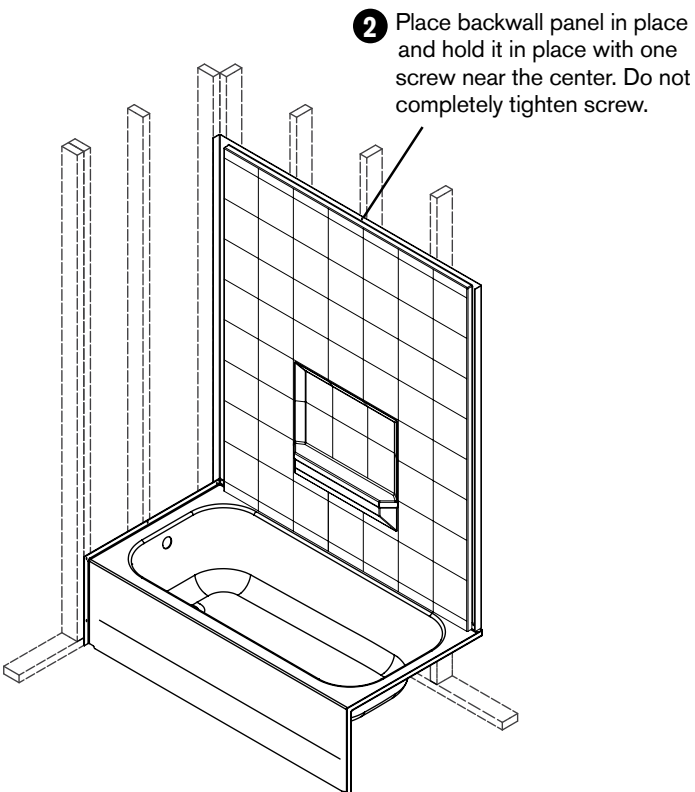
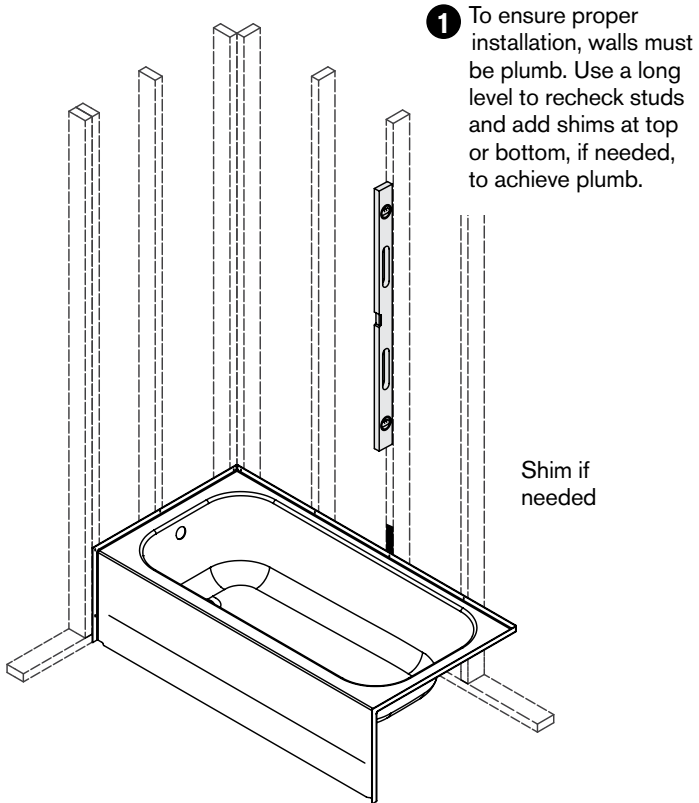


Figure 4

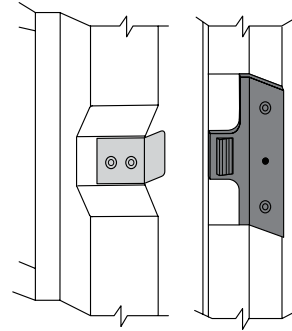
- 4 Screw tub flanges to wall framing.
- 5 Proceed to wall installation (see page 3).

## INSTALLING SHOWER WALLS



**3** Drill plumbing holes in side wall panel; then proceed to Step 4.

**4** Proceed with steps 4A and 4B to install the side walls using the SnapJoint clip hardware (shown below).



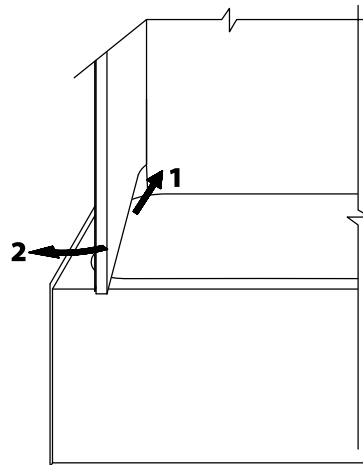
### 4A Installing valve wall:

If parts of the shower valve and/or pipe nipple stick out:

**(1)** Completely insert side wall at an angle to clear them;

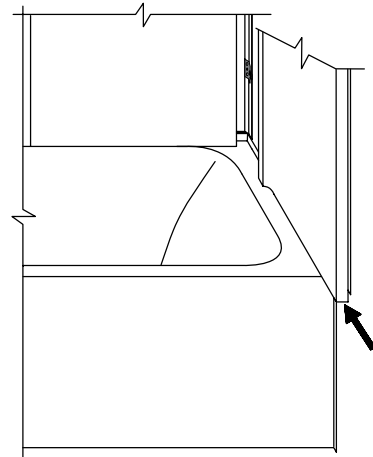
**(2)** Rotate the wall into place;

Push wall until front is flush with tub.



### 4B Installing non-valve wall:

Rest side wall on tub ledge, then push it into the wall channel until front is flush with tub.

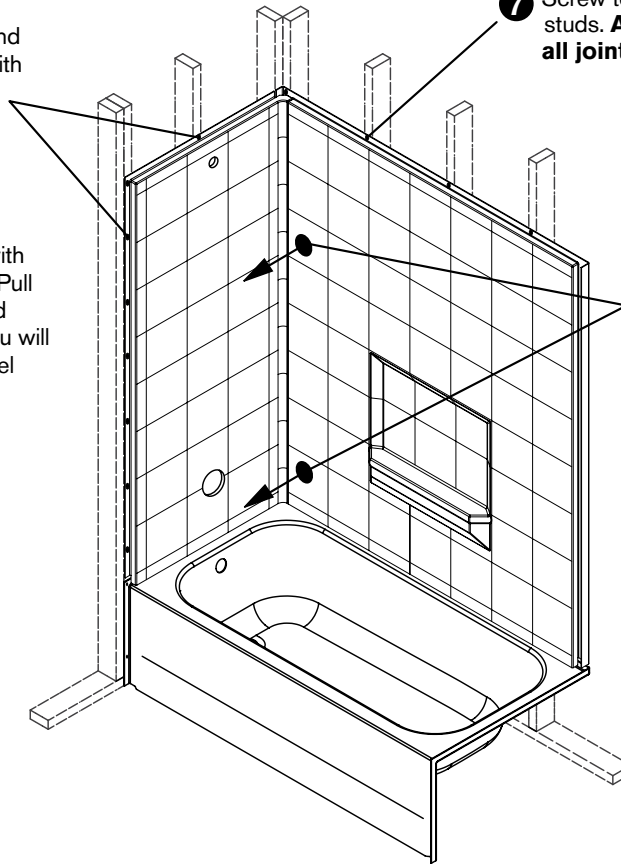


INSTALLING SHOWER WALLS (CONTINUED)

**5** With walls firmly pushed down and front edge of side wall aligned with front edge of tub, screw through side wall flanges into framing.

**6** Attach a suction cup (supplied with the unit) on the back wall panel. Pull it firmly forward until the back and side walls are pulled together. You will hear a series of clicks as the panel locking clip engages.

**7** Screw top flange of back wall to studs. **Apply silicone caulk in all joints.**



Suction cup is supplied with SnapJoint walls.