



BIG E



This gigantic spa is over 45% wider than a standard walk-in tub.

The largest walk-in bathing experience available!

The Big E features our largest door and bowl comprised of composite fiberglass with a luxurious gelcoat surface. The unit is secured to a welded steel base. A molded three sided skirt makes the unit impervious to twisting and warping. All walk-in tubs offer a limited lifetime warranty.

The patented movable hinged seat is a feature that combines a recessed stepping area with a hinged seat plate creating an alcove to promote a comfortable (and safer) entry and exit from the tub.

Pre-installed plumbing with quick connect lines for professional installation.

The elegant, user-friendly patented door latch is constructed of stainless steel and brass components, no plastic. If adjustment should ever be necessary, it is easily made with this designer lever.

Jetted models feature the quietest whirlpool pump available, the Syllent Pump. This pump is designed with a heat recycling feature to help maintain water temperature and eliminate the need for an expensive in-line heater and additional wiring.

Stainless steel cable operated tub drain mechanism with a lever handle for easy operation. The Big E also includes a second drain for faster water exit.

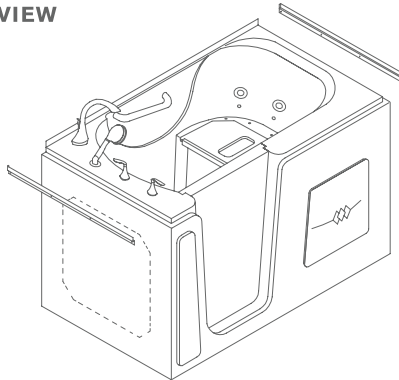
Seat warmer for added comfort. Bestbath® was the first to offer this option at no extra charge.

Optional ozone sanitation system available.

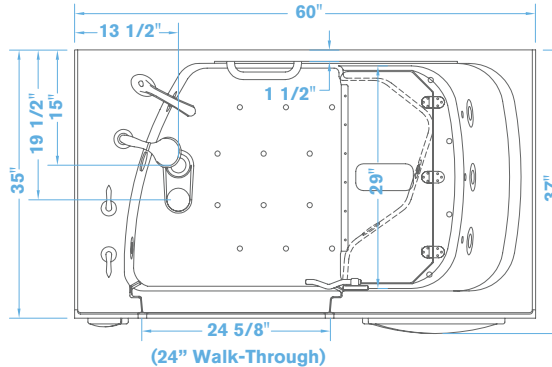
The concept and design of the Big E was inspired by bathing visionary Emmette Luter of Tylertown Mississippi.

BIG E

PERSPECTIVE VIEW



TOP VIEW



Options and accessories vary by model.

CODES

Designed and manufactured in compliance with the following standards and codes:

- I.A.P.M.O. / A.N.S.I. Z124.1.2-2005 Plastic Bathtubs and Showers
- A.S.M.E. A112.19.15-2005 & CSA B45-02 (R08) Whirlpool Bathtubs with Pressure Sealed Doors
- A.S.M.E. A112.19.7-2006 Hydromassage Bathtub Appliances
- Underwriters Laboratories 1795 & CSA C22.2 No. 218.2-93 Hydromassage Bathtub Appliances

XTW6035 Big E Features:

- Seat warmer with keypad control
- Swing up seat for easy entry
- Seat height is designed for ease of sitting and standing
- Extra deep for a full body soak
- Largest door opening available
- Reliable door seal that comes with a limited lifetime warranty
- Extra drain for faster exit
- Allows you the freedom to rehabilitate at home, or enjoy a long soak in a safe, comfortable spa-like tub
- Installs along a wall, or in alcove or corner with optional open end panels
- Space under tub allows for reverse plumbing
- Optional Syllent brand jet pump: a revolutionary, ultra quiet design that helps maintain water temperature without an external heater, limiting the power requirements to just 15 Amps/110 Volt-Optional (heated) Airjet system (15 Amps/ 110 Volt) (3 year limited warranty)
- Optional Ozone sanitation system



BESTBATH PRODUCTS ARE MADE IN THE USA
and come with a limited lifetime warranty so you can relax knowing you're covered now and in the future.



bestbath.com

Toll Free 800.727.9907
Fax 208.333.8657
723 Garber Street
Caldwell, ID 83605

Reorder # 076FORM2028 06/16
Bestbath is a trademark of Best Bath System, Inc. © 2016 All rights reserved.