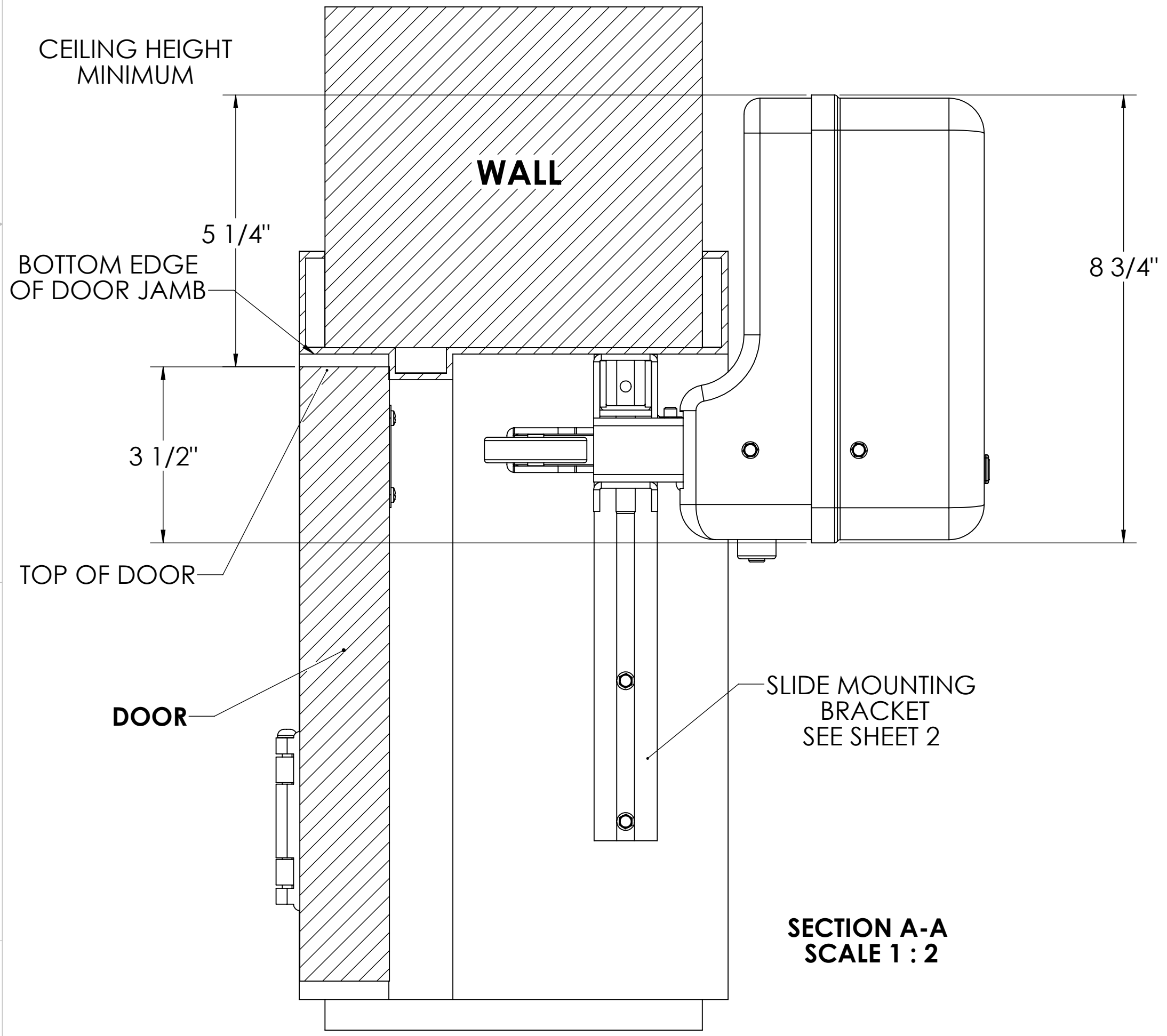
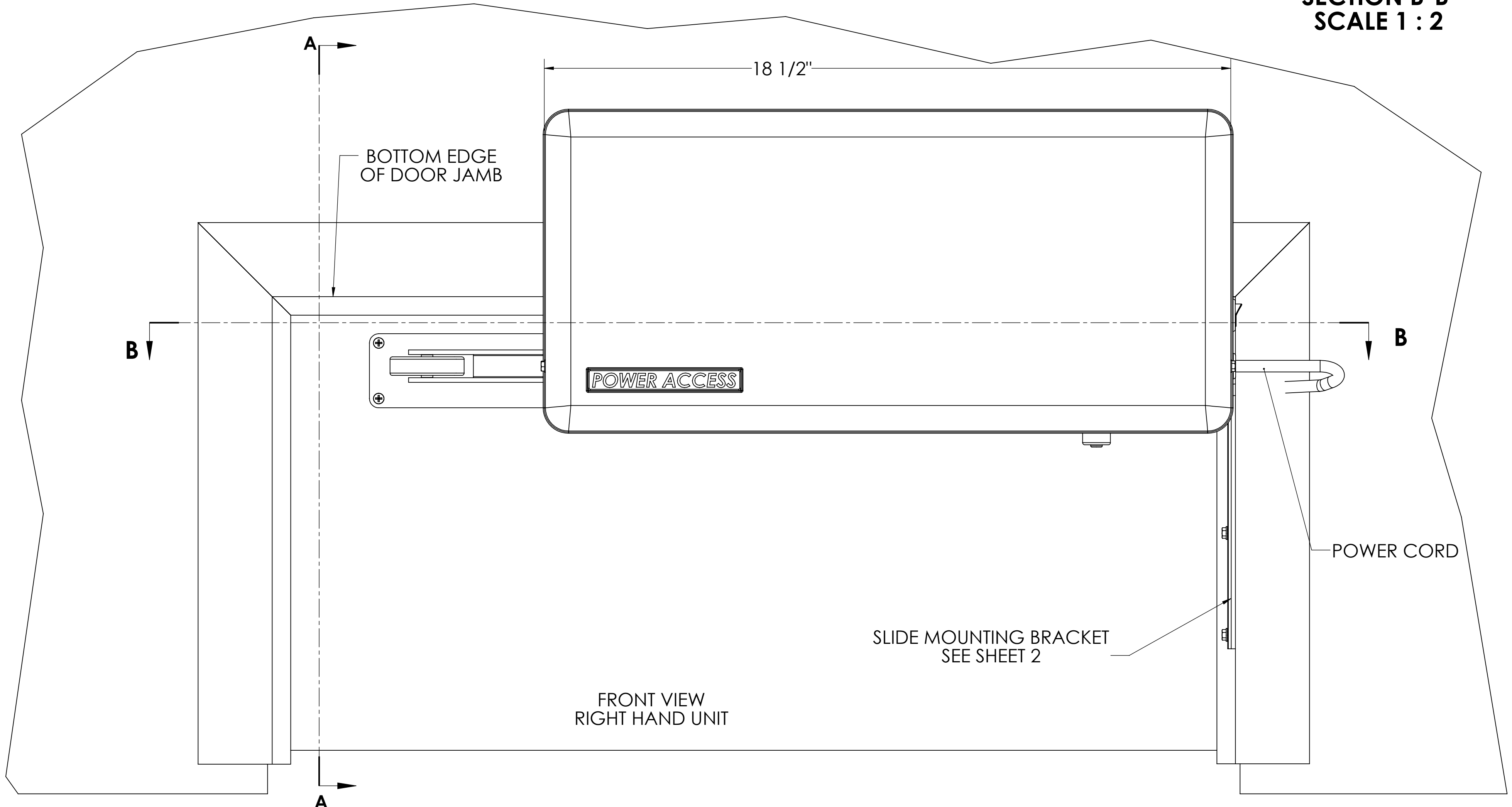


TOP VIEW RIGHT HAND UNIT

SECTION B-B
SCALE 1 : 2



SECTION A-A
SCALE 1 : 2

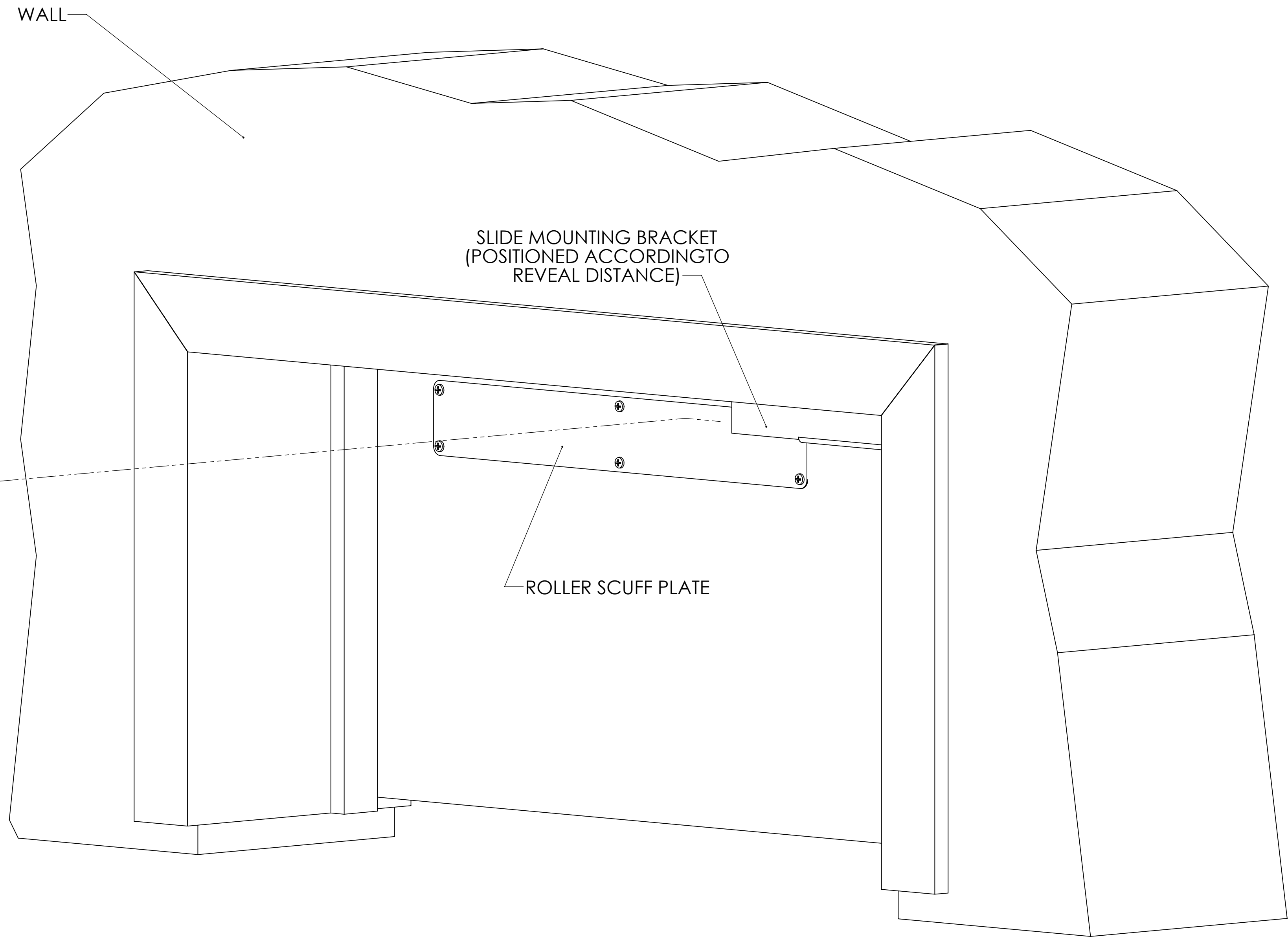
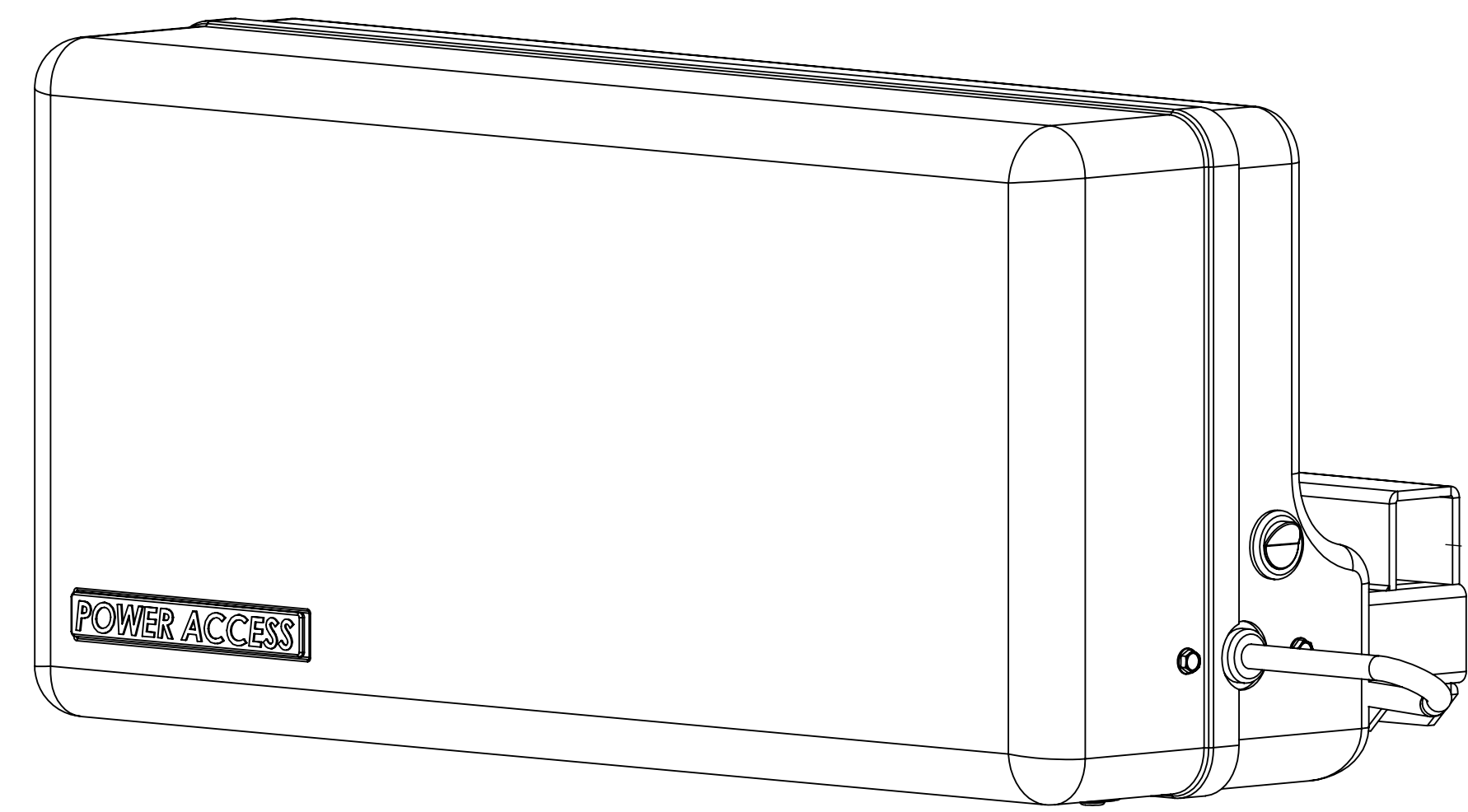


FRONT VIEW
RIGHT HAND UNIT

MODEL 4300
FOR DEEP REVEAL DOORS
POWER REQUIREMENTS-115 VAC, 3 AMP, SINGLE PHASE
GROUND RECEPTACLE, 9' POWER CORD SUPPLIED 20'
POWER CORD OPTIONAL. SENSORS-TOUCH SWITCHES, WALL
SWITCHES OR RADIO CONTROL AS SPECIFIED.

PROPRIETARY AND CONFIDENTIAL
THE INFORMATION CONTAINED IN THIS DRAWING
IS THE SOLE PROPERTY OF POWER ACCESS
CORPORATION. ANY REPRODUCTION IN PART OR
AS A WHOLE WITHOUT THE WRITTEN PERMISSION
OF POWER ACCESS CORPORATION IS PROHIBITED.

UNLESS OTHERWISE SPECIFIED:		DRAWN	NAME	DATE	POWER ACCESS
DIMENSIONS ARE IN INCHES		BH	BH	10/29/15	
TOLERANCES:		CHECKED			TITLE:
FRACTIONAL ±		ENG APPR.			ARCHITECTURAL
ANGULAR MATCH ±		MFG APPR.			REQUIREMENTS
BEND ±		G.A.			SIZE DWG. NO.
TWO PLACE DECIMAL ±		COMMENTS:			D 4300XR
THREE PLACE DECIMAL ±					REV
INTERPRET GEOMETRIC					SCALE: 1:8
TOLERANCING PER:					WEIGHT:
MATERIAL					SHEET 1 OF 2
NEXT ASSY	USED ON	FINISH			
APPLICATION					



PROPRIETARY AND CONFIDENTIAL
 THE INFORMATION CONTAINED IN THIS DRAWING IS THE SOLE PROPERTY OF POWER ACCESS CORPORATION. ANY REPRODUCTION IN PART OR AS A WHOLE WITHOUT THE WRITTEN PERMISSION OF POWER ACCESS CORPORATION IS PROHIBITED.

UNLESS OTHERWISE SPECIFIED:		DRAWN	NAME	DATE
DIMENSIONS ARE IN INCHES		BH	BH	10/29/15
TOLERANCES:		CHECKED		
FRACTIONAL ±		ENG APPR:		
ANGULAR: MACH ±		MFG APPR:		
BEND ±		Q.A.		
TWO PLACE DECIMAL ±		COMMENTS:		
THREE PLACE DECIMAL ±				
INTERPRET GEOMETRIC TOLERANCING PER:				
MATERIAL:				
NEXT ASSY	USED ON	FINISH		
APPLICATION				

POWER ACCESS
 TITLE:
 MODEL 4300 R.H.
 DEEP REVEAL
 SIZE DWG. NO. REV
D 4300XR-1
 SCALE: 1:8 WEIGHT: SHEET 2 OF 2

REV
 4300XR
 D