

MODEL 4300 FOR DEEP REVEAL DOORS

POWER REQUIREMENTS-115 VAC, 3 AMP., SINGLE PHASE GROUND RECEPTACLE, 9' POWER CORD SUPPLIED 20' CORD OPTIONAL. SENSORS- TOUCH SWITCHES, WALL SWITCHES OR RADIO CONTROLLED AS SPECIFIED.

FRONT VIEW  
LEFT HAND UNIT  
DOOR WIDTH  
NOT TO SCALE

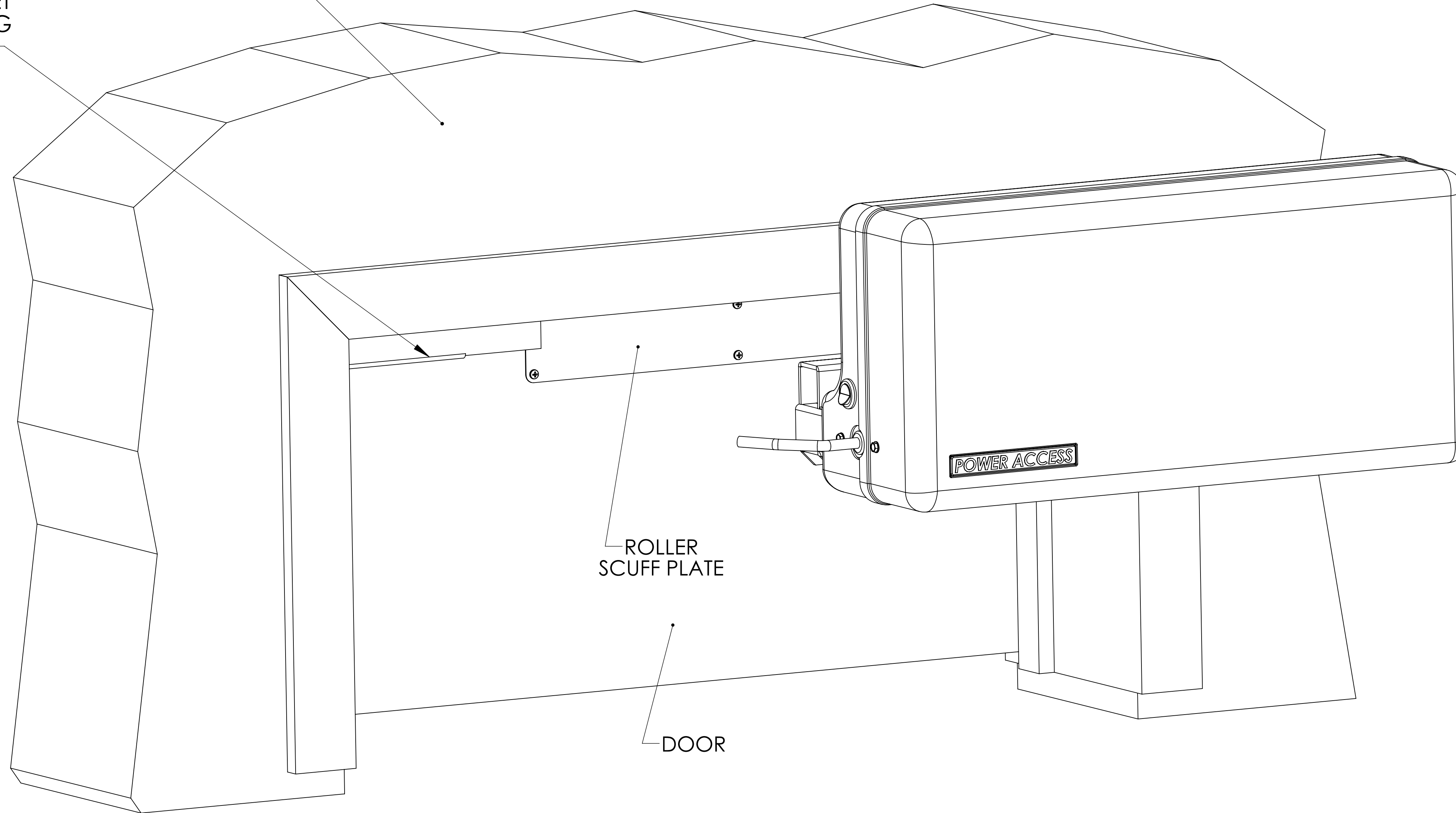
**PROPRIETARY AND CONFIDENTIAL**  
THE INFORMATION CONTAINED IN THIS DRAWING IS THE SOLE PROPERTY OF POWER ACCESS CORPORATION. ANY REPRODUCTION IN PART OR AS A WHOLE WITHOUT THE WRITTEN PERMISSION OF POWER ACCESS CORPORATION IS PROHIBITED.

UNLESS OTHERWISE SPECIFIED:		NAME	DATE	<b>POWER ACCESS</b>
DIMENSIONS ARE IN INCHES	TOLERANCES:	BH	10/29/15	
FRACTIONAL ±	DECIMAL ±			TITLE:
ANGULAR: MATCH ±	BEND ±			ARCHITECTURAL
TWO PLACE DECIMAL ±	THREE PLACE DECIMAL ±			REQUIREMENTS
INTERPRET GEOMETRIC TOLERANCING PER:	MATERIAL			SIZE DWG. NO.
				<b>D 4300XL</b>
				SCALE: 1:8 WEIGHT:
				SHEET 1 OF 2

8 7 6 5 4 3 2 1

SLIDE MOUNTING BRACKET  
(POSITIONED ACCORDING  
TO REVEAL DISTANCE)

WALL



ROLLER  
SCUFF PLATE

DOOR

**PROPRIETARY AND CONFIDENTIAL**

THE INFORMATION CONTAINED IN THIS DRAWING IS THE SOLE PROPERTY OF POWER ACCESS CORPORATION. ANY REPRODUCTION IN PART OR AS A WHOLE WITHOUT THE WRITTEN PERMISSION OF POWER ACCESS CORPORATION IS PROHIBITED.

UNLESS OTHERWISE SPECIFIED:		NAME	DATE
DIMENSIONS ARE IN INCHES		BH	10/29/15
TOLERANCES:			
FRACTIONAL ±			
ANGULAR: MACH ±			
BEND ±			
TWO PLACE DECIMAL ±			
THREE PLACE DECIMAL ±			
INTERPRET GEOMETRIC TOLERANCING PER:			
MATERIAL			
NEXT ASSY	USED ON	FINISH	
APPLICATION			

<b>POWER ACCESS</b>	
TITLE:	
ARCHITECTURAL REQUIREMENTS	
SIZE	DWG. NO.
<b>D</b>	<b>4300XL-1</b>
SCALE: 1:8	WEIGHT:
	SHEET 2 OF 2

REV  
4300XL

8 7 6 5 4 3 2 1