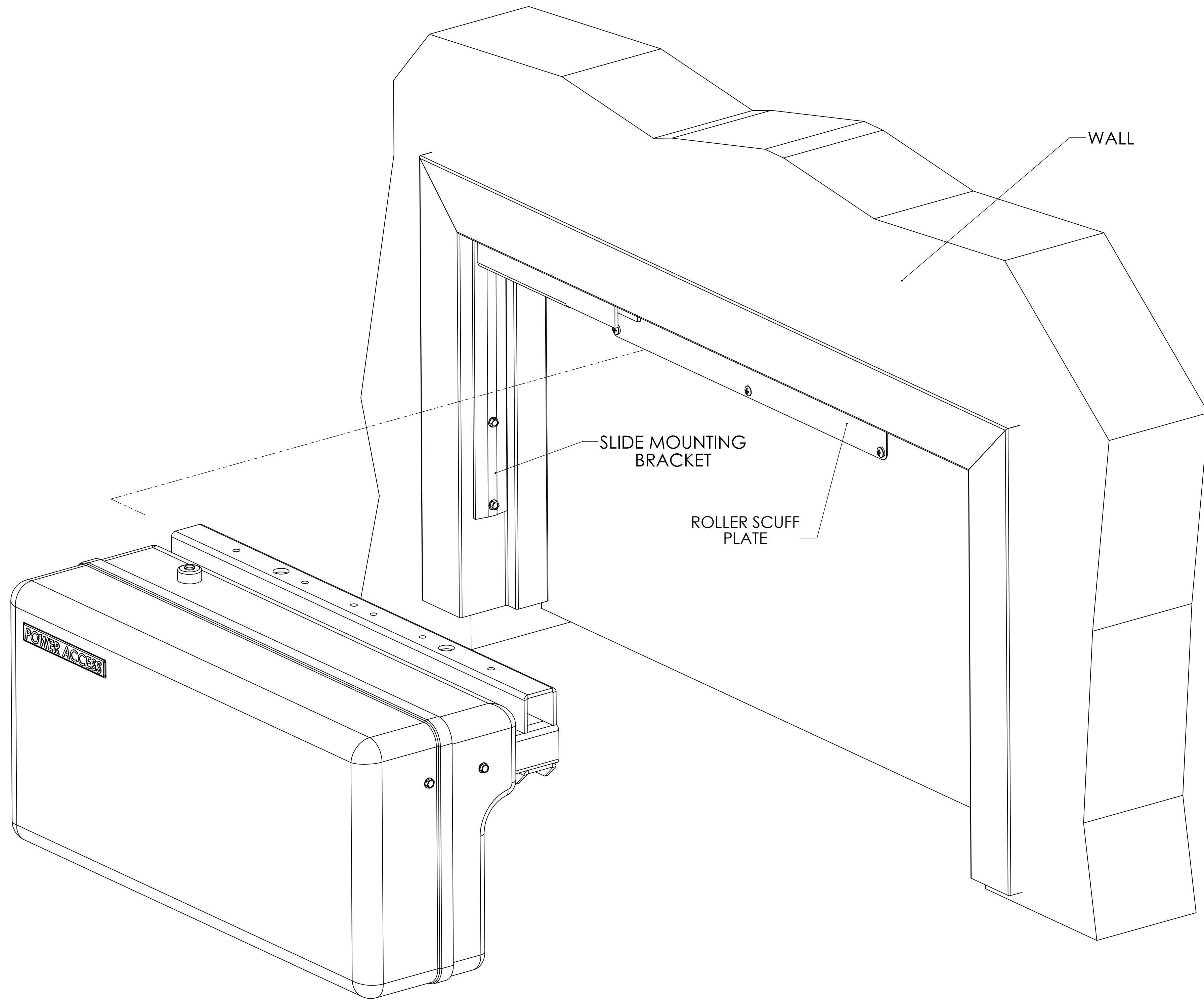


**MODEL 4300 INVERTED (VR)**  
 POWER REQUIREMENTS-115 VAC, 3 AMP, SINGLE PHASE  
 GROUNDED RECEPTACLE, 9' POWER CORD, SUPPLIED,  
 20' CORD OPTIONAL. SENSORS-TOUCH SWITCHES, WALL  
 SWITCHES OR RADIO CONTROLLED AS SPECIFIED.

**PROPRIETARY AND CONFIDENTIAL**  
 THE INFORMATION CONTAINED IN THIS DRAWING  
 IS THE SOLE PROPERTY OF POWER ACCESS  
 CORPORATION. ANY REPRODUCTION IN PART OR  
 AS A WHOLE WITHOUT THE WRITTEN PERMISSION  
 OF POWER ACCESS CORPORATION IS PROHIBITED.

UNLESS OTHERWISE SPECIFIED:		NAME	DATE	<b>POWER ACCESS</b>
DIMENSIONS ARE IN INCHES		BH	10/29/15	
TOLERANCES:	FRACTIONAL ±	DRAWN		TITLE:
	ANGULAR MATCH ±	CHECKED		MODEL 4300 L.H.
	TWO PLACE DECIMAL ±	ENG APPR.		INVERTED
	THREE PLACE DECIMAL ±	MFG APPR.		SIZE DWG. NO. REV
INTERPRET GEOMETRIC TOLERANCING PER:		G.A.		<b>D 4300VL</b>
MATERIAL		COMMENTS:		SCALE: 1:8 WEIGHT: SHEET 1 OF 2
NEXT ASSY	USED ON	FINISH		
APPLICATION				

REV D 4300VL



**PROPRIETARY AND CONFIDENTIAL**  
 THE INFORMATION CONTAINED IN THIS DRAWING IS THE SOLE PROPERTY OF POWER ACCESS CORPORATION. ANY REPRODUCTION IN PART OR AS A WHOLE WITHOUT THE WRITTEN PERMISSION OF POWER ACCESS CORPORATION IS PROHIBITED.

UNLESS OTHERWISE SPECIFIED:		NAME	DATE	POWER ACCESS
DIMENSIONS ARE IN INCHES		BH	10/29/15	
TOLERANCES:				TITLE:
FRACTIONAL ±				MODEL 4300VLH
ANGULAR MATCH ±				INVERTED
BEND ±				SIZE DWG. NO.
TWO PLACE DECIMAL ±				D 4300VL-I
THREE PLACE DECIMAL ±				SCALE: 1:8 WEIGHT: SHEET 2 OF 2
INTERPRET GEOMETRIC TOLERANCING PER:		G.A.		REV
MATERIAL		COMMENTS:		
NEXT ASSY	USED ON	FINISH		
APPLICATION				