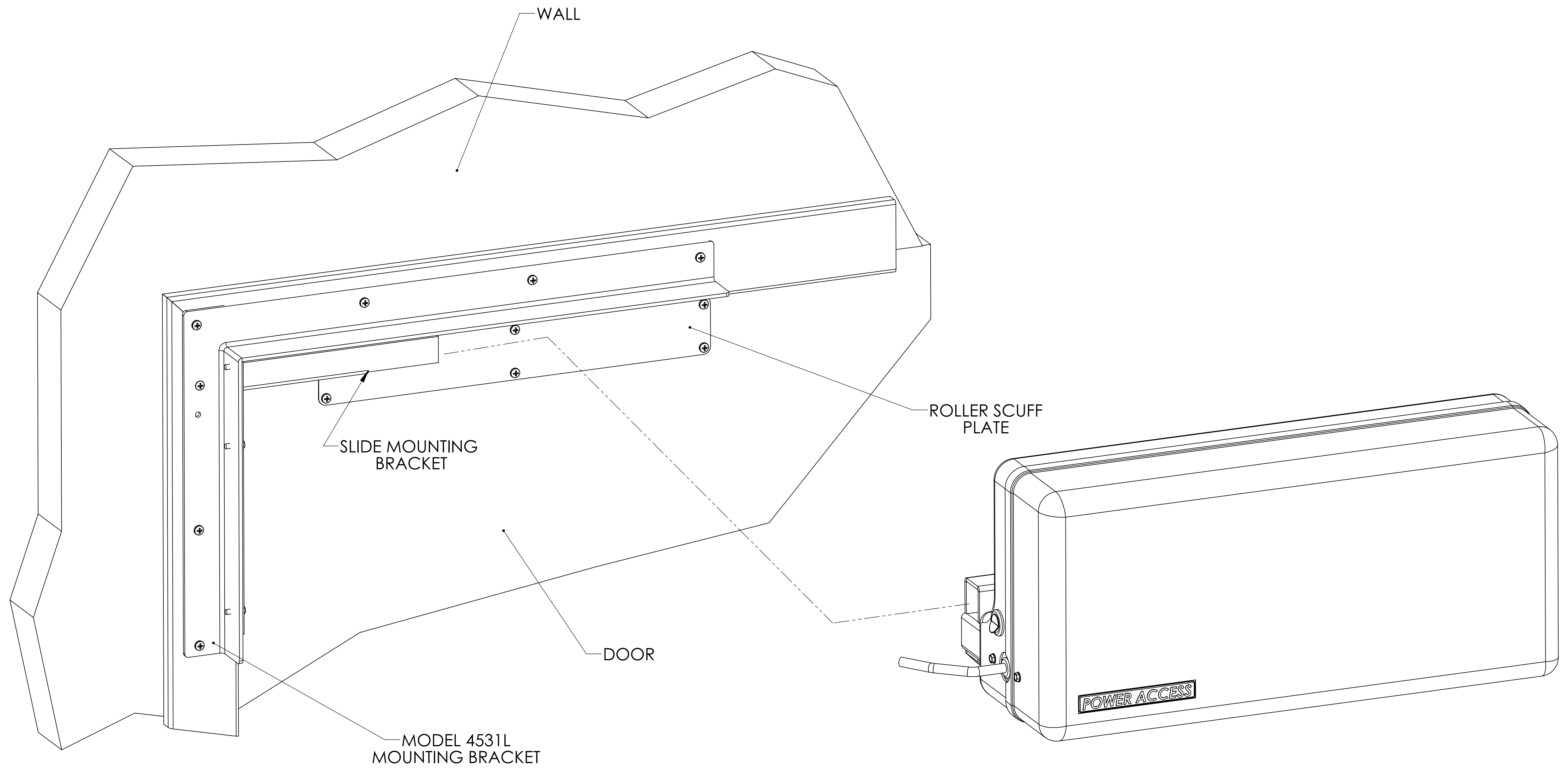


MODEL 4300 WITH MODEL 4531 MOUNTING BRACKET FOR SHALLOW REVEAL DOORS
 POWER REQUIREMENTS-115 VAC, 3 AMP SINGLE PHASE
 GROUND RECEPTACLE, 9' POWER CORD SUPPLIED.
 20' CORD OPTIONAL.
 SENSORS-TOUCH SWITCHES, WALL SWITCHES OR
 RADIO CONTROL AS SPECIFIED.

PROPRIETARY AND CONFIDENTIAL
 THE INFORMATION CONTAINED IN THIS DRAWING IS THE SOLE PROPERTY OF POWER ACCESS CORPORATION. ANY REPRODUCTION IN PART OR AS A WHOLE WITHOUT THE WRITTEN PERMISSION OF POWER ACCESS CORPORATION IS PROHIBITED.

UNLESS OTHERWISE SPECIFIED:		DRAWN	NAME	DATE	POWER ACCESS TITLE: MODEL 4300 WITH SHALLOW REV. BRKT SIZE DWG. NO. D 4300L-SRB SCALE: 1:4 WEIGHT: SHEET 1 OF 2
DIMENSIONS ARE IN INCHES		CHECKED	BH	10/29/15	
TOLERANCES:		ENG APPR:			
FRACTIONAL ±		MFG APPR:			
ANGULAR MATCH ± BEND ±		G.A.			
TWO PLACE DECIMAL ±		COMMENTS:			
THREE PLACE DECIMAL ±					
INTERPRET GEOMETRIC TOLERANCING PER:					
MATERIAL					
NEXT ASSY	USED ON	FINISH			
APPLICATION					



UNLESS OTHERWISE SPECIFIED:		DRAWN	NAME	DATE	TITLE: POWER ACCESS
DIMENSIONS ARE IN INCHES		BH	BH	10/29/15	
TOLERANCES:		CHECKED			SIZE DWG. NO. D 4300L-SRB-1 REV
FRACTIONAL ±		ENG APPR.			
ANGULAR: MACH ± BEND ±		MFG APPR.			
TWO PLACE DECIMAL ±		G.A.			
THREE PLACE DECIMAL ±		COMMENTS:			
INTERPRET GEOMETRIC TOLERANCING PER:					
MATERIAL					
NEXT ASSY	USED ON	FINISH			
APPLICATION					

REV
D 4300L-SRB